

## Price list

**2012**



### **Standard program**

**Magnetic holding devices**

**Dial test indicator holder**

**Selecting magnet**

**Demagnetizer**

**Holding and sticking magnets**

**Rubber magnets**

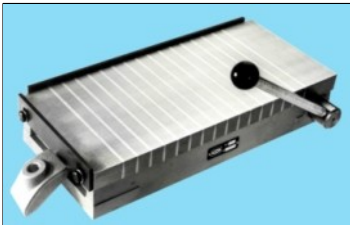
Conditions: All prices in CHF, excl. taxes, ex works Solothurn, payment within 30 days net

Delivery terms: The goods will usually be shipped within 1 to 2 weeks.  
Possible delays will be reported.  
All data subject to change

## Price list

**2012**

### Magnetic holding devices



#### Magnetic face plates "PERMANENT"

with switching lever and 2 holding clamps

Art.No.	Designation	Type	Price
52.100.150.0	<b>Magnetic face plate</b>	JB 100 x 150	<b>1'050.00</b>
52.135.240.0	<b>Magnetic face plate</b>	JB 135 x 240	<b>1'300.00</b>
52.135.300.0	<b>Magnetic face plate</b>	JB 135 x 300	<b>1'500.00</b>
52.135.360.0	<b>Magnetic face plate</b>	JB 135 x 360	<b>1'672.00</b>
52.135.450.0	<b>Magnetic face plate</b>	JB 135 x 450	<b>1'990.00</b>
52.150.300.0	<b>Magnetic face plate</b>	JB 150 x 300	<b>1'632.00</b>
52.150.360.0	<b>Magnetic face plate</b>	JB 150 x 360	<b>1'806.00</b>
52.150.450.0	<b>Magnetic face plate</b>	JB 150 x 450	<b>2'112.00</b>



#### Magnetic chucks "PERMANENT"

with switching lever, without flange

Art.No.	Designation	Type	Price
50.100.000.0	<b>Magnetic chuck</b>	JB 100	<b>530.00</b>
50.100.000.1	<b>Magnetic chuck</b>	JB 100 with inset ø 16 mm Ms	<b>670.00</b>
50.150.000.0	<b>Magnetic chuck</b>	JB 150	<b>856.00</b>
50.150.000.1	<b>Magnetic chuck</b>	JB 150 with inset ø 20 mm Ms	<b>986.00</b>
50.200.000.0	<b>Magnetic chuck</b>	JB 200	<b>1'600.00</b>
50.250.000.0	<b>Magnetic chuck</b>	JB 250	<b>2'266.00</b>
50.300.000.0	<b>Magnetic chuck</b>	JB 300	<b>2'980.00</b>

#### Accessories for magnetic chucks JB 100 and JB 150

Flanges

Art.No.	Designation	Type	Price
50.100.200.0	<b>Flange W20</b>	ø 100 mm	<b>212.00</b>
50.150.200.0	<b>Flange W20</b>	ø 150 mm	<b>310.00</b>
50.100.250.0	<b>Flange W25</b>	ø 100 mm	<b>236.00</b>
50.150.250.0	<b>Flange W25</b>	ø 150 mm	<b>320.00</b>
50.199.000.0	<b>Mounting onto magnetic chuck</b>		<b>216.00</b>

Conditions:

All prices in CHF, excl. taxes, ex works Solothurn, payment within 30 days net

Delivery terms:

The goods will usually be shipped within 1 to 2 weeks.

Possible delays will be reported.

All data subject to change

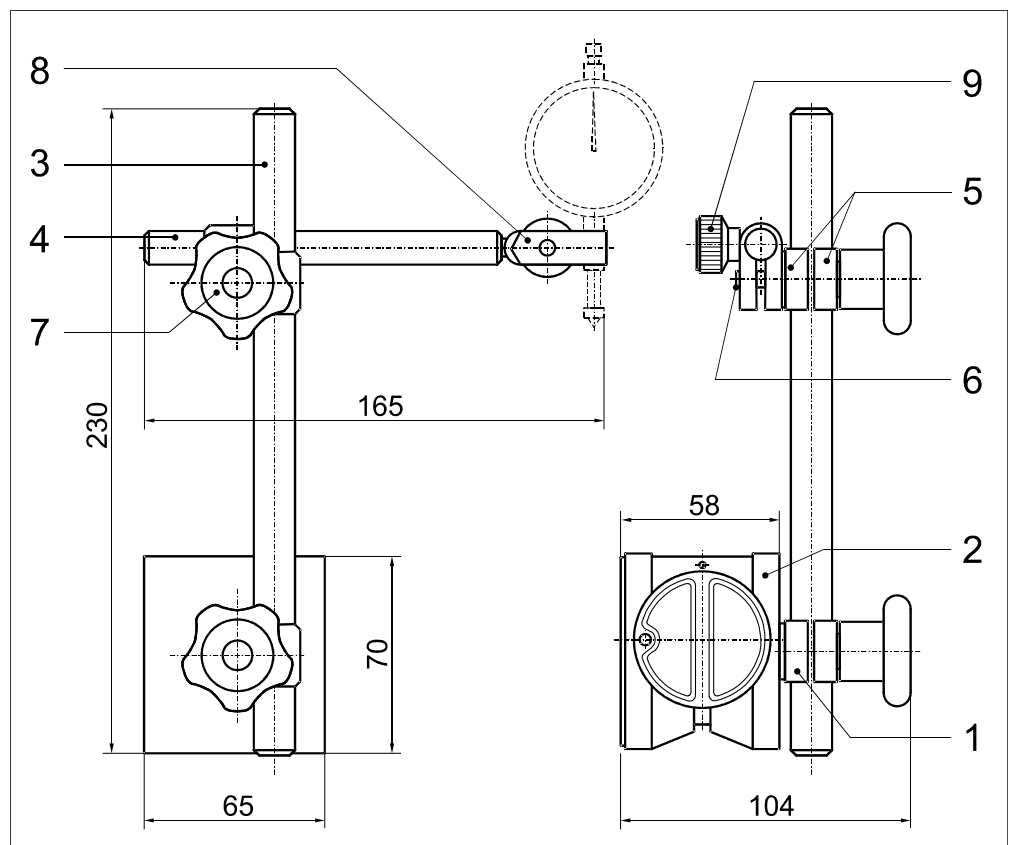
## Magnetic dial test indicator holder "Magnet-Fix"



Art.No.	Designation	Price
51.01.00.000	<b>Magnet- Fix type 5101</b> complete, without dial test indicator	<b>340.00</b>

### Spare parts

No.	Art.No.	Designation	Price
1	51.01.10.000	<b>Magnetic base incl. bolt and knob</b>	<b>232.00</b>
2	51.01.19.000	<b>Lower joint <math>\varnothing</math> 15 mm</b>	<b>24.65</b>
3	51.01.14.000	<b>Column <math>\varnothing</math> 15 x 230 mm</b>	<b>24.65</b>
4	51.01.15.000	<b>Column <math>\varnothing</math> 12 x 140 mm</b>	<b>22.00</b>
5	51.01.40.000	<b>Double joint <math>\varnothing</math> 12 / <math>\varnothing</math> 15, incl. items 6 and 7</b>	<b>66.00</b>
6	51.01.27.000	<b>Bolt for double joint</b>	<b>13.65</b>
7	51.01.31.000	<b>Knob</b>	<b>9.35</b>
8	51.01.50.000	<b>Fine adjustment incl. item 9</b>	<b>35.70</b>
9	51.01.33.000	<b>Knurled nut</b>	<b>7.35</b>
-	51.01.60.000	<b>Set of columns complete <math>\varnothing</math> 12 / <math>\varnothing</math> 15 mm</b> consisting of items 3, 4, 5 and 8	<b>145.00</b>
-	51.01.99.000	<b>Storage container (plastic)</b>	<b>30.65</b>



## Selecting magnet BOHLI



Art.No.	Designation	Price
45.01.00.000	<b>Selecting magnet BOHLI</b> ø 70 x 365 mm	<b>500.00</b>

## Demagnetizer 65 - EMS 150

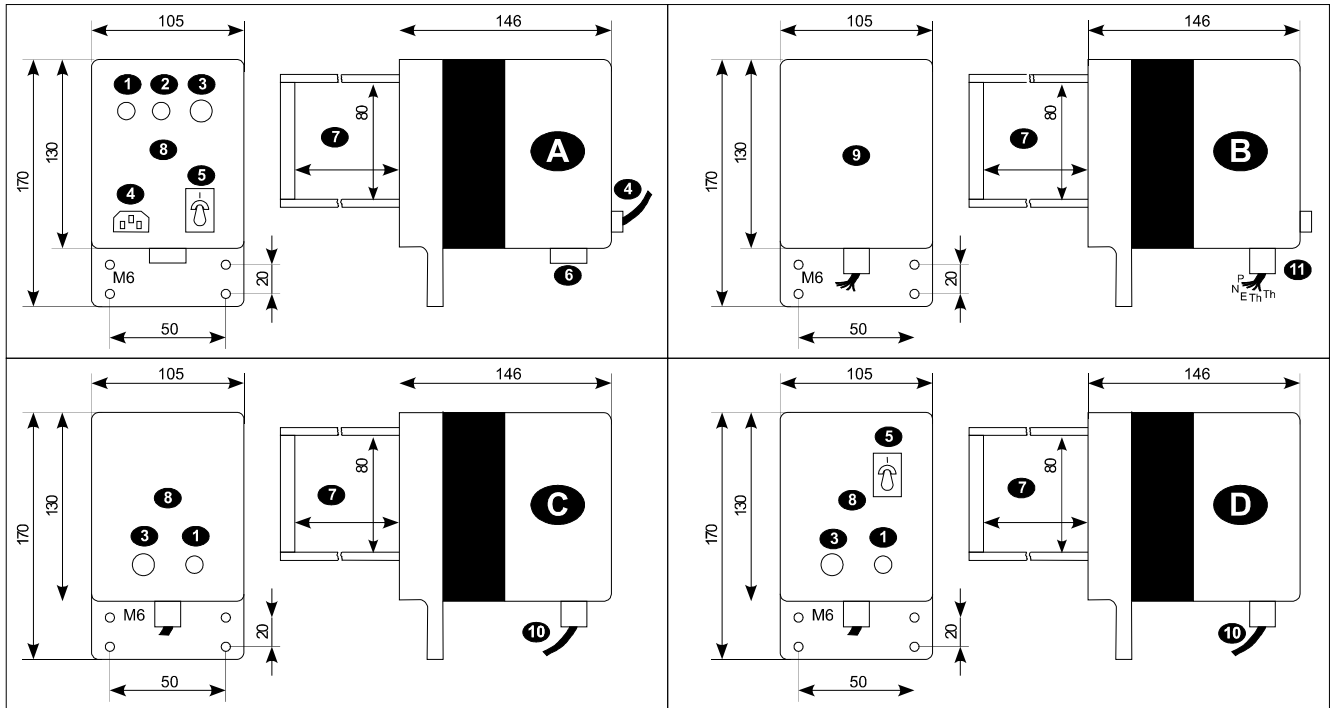


No.	Art.No.	Designation	Price
1	65.150.4500	<b>Demagnetizer 65- EMS 150 Type A</b> Standard width 80 x 450 mm, 230V/50Hz, Pilot lamp, on/off-switch, 2 fuses, cable 1.7 m to be plugged, built in thermo switch, connection for foot switch	<b>2'820.00</b>
2	65.150.4510	<b>Demagnetizer 65- EMS 150 Type B</b> Standard width 80 x 450 mm, 230V/50Hz, built in thermo switch, cable 5 m, TD 5x0.75, permanently wired,	<b>2'652.00</b>
3	65.150.4520	<b>Demagnetizer 65- EMS 150 Type C</b> Standard width 80 x 450 mm, 230V/50Hz, Pilot lamp, fuse, thermo switch, cable 8 m, TD 3x1, permanently wired,	<b>2'704.00</b>
	65.150.4530	<b>Demagnetizer 65- EMS 150 Type C</b> Standard width 80 x 450 mm, 230V/50Hz, Pilot lamp, fuse, on/off-switch, built in thermo switch, cable 8 m, TD 3x1, permanently wired,	<b>2'744.00</b>
4	65.150.0020	<b>Foot switch for second level (only for type A)</b>	<b>168.00</b>
5	65.150.0010	<b>Pillar for demagnetizer</b>	<b>148.00</b>
6		<b>Quick action lock (for fast belt change)</b>	
	65.150.2000	<b>Standard height 80 mm</b>	<b>184.00</b>
	66.150.2010	<b>Special height</b>	<b>320.00</b>
-	65.150.0xxx	<b>Other width for standard height (type B to D)</b>	<b>400.00</b>
	65.150.1xxx	<b>Other width for special height (type B to D)</b> xxx = width in mm, min. 180 mm, max. 1200 mm Special height: upon request	<b>632.00</b>

[Informations to the executions see next page](#)

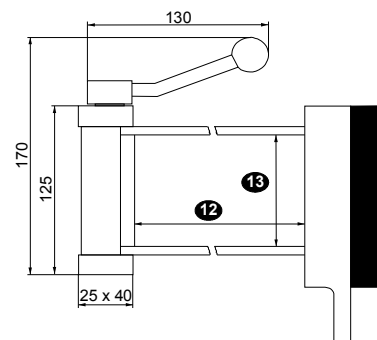
## Demagnetizer 65 - EMS 150

Executions A to D and quick action lock



- 1 Fuse 1.25 A slow
- 2 Fuse 6.3 A slow only with foot switch and for short time, double field
- 3 Pilot lamp
- 4 Socket for cable 1.7 mt
- 5 ON/OFF switch
- 6 Connection for foot switch
- 7 Width (standard = 80 x 450 mm)
- 8 Built in thermo switch, wired
- 9 Cable TD 3 x 1 mm<sup>2</sup> permanently wired
- 10 Special width 80 x 180 to 1000 mm
- 11 Cable TD 5 x 0.75 mm<sup>2</sup>, permanently wired
- 12 Special width 80 x 180 to 1200 mm
- 13 Special height: upon request

### Quick action lock (for fast belt change) for standard height 80 mm



## Holding magnets

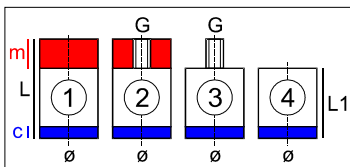


### Holding magnets

Art.No.	∅	L	L1	G	c	m	Force	Price
							kg	per piece
54.08.v0.000	8	19	12	M4	1.5	7	1.2	<b>10.80</b>
54.10.v0.000	10	21	14	M4	1.5	7	1.8	<b>13.00</b>
54.12.v0.000	12	24	18	M5	2.0	6	3.0	<b>15.40</b>
54.15.v0.000	15	27	19	M5	2.0	8	4.5	<b>20.40</b>
54.20.v0.000	20	32	23	M5	3.0	9	9.0	<b>30.00</b>
54.25.v0.000	25	35	26	M6	3.0	9	15.0	<b>44.00</b>
54.30.v0.000	30	42	34	M8	4.0	8	20.0	<b>58.00</b>
54.40.v0.000	40	48	40	M8	4.0	8	30.0	<b>66.00</b>
54.50.v0.000	50	65	54	M10	5.0	11	60.0	<b>154.00</b>

v = Execution 1 / 2 / 3 / 4

Special executions on request



### Possibilities of processing:

**m:** Area for fastening, e.g. bore, groove etc.

**c:** Area for simple contours



### Sticking magnets "DISPO" ∅ 42 x 9 mm

Art.No.	Designation	Price per piece from	Price per piece	
			1 piece	10 pieces
54.42.01.OX0	<b>Execution 1</b> (color code see below)		<b>7.20</b>	<b>6.60</b>
54.42.02.000	<b>Execution 2</b> (galvanized)		<b>6.60</b>	<b>6.00</b>
54.42.03.000	<b>Execution 3</b> (stainless)		<b>7.20</b>	<b>6.60</b>
54.42.04.000	<b>Execution 4</b> (hammer cur yellow)		<b>7.20</b>	<b>6.60</b>

### Planning magnets ∅ 30 mm

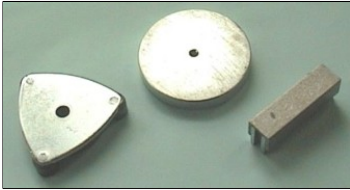
Art.No.	Designation	Price per piece from	Price per piece	
			1 piece	10 pieces
54.99.30.0Y0	<b>∅ 30 mm</b> (color code see below)		<b>1.60</b>	<b>1.40</b>

Farbcode **X:** 1=white 2=blue 3=yellow 4=red 5=green

Farbcode **Y:** 1=white 2=blue 3=yellow 4=red 5=green 6=black 7=grey 8=orange

other colors and sizes: price and delivery on demand

## Holding magnets / special types



### Holding magnets / special types

No.	Art.No.	Designation		Price
1	54.60.00.000	<b>Type 54.60</b>	ø 60 x 11 mm with bore ø 4 mm	<b>42.00</b>
1	54.60.05.000	<b>Type 54.60</b>	ø 60 x 11 mm with thread M5	<b>42.00</b>
1	54.60.06.000	<b>Type 54.60</b>	ø 60 x 11 mm with thread M6	<b>42.00</b>
1	54.65.00.000	<b>Type 54.65</b>	ø 65 x 11 mm with bore ø 4 mm	<b>44.00</b>
1	54.65.05.000	<b>Type 54.65</b>	ø 65 x 11 mm with thread M5	<b>44.00</b>
1	54.65.06.000	<b>Type 54.65</b>	ø 65 x 11 mm with thread M6	<b>44.00</b>
2	54.45.30.000	<b>Tripod magnet</b>	ø 45 x 13 mm, bore ø 8 mm	<b>30.00</b>
2	54.45.30.100	<b>Tripod magnet with tube holder</b>	Ring magnet ø 45, height 80 mm	<b>46.00</b>
3	54.55.22.151	<b>Magnet</b>	55 x 22 x 15 mm, Aluminium cover	<b>17.40</b>

### Sticking magnet non-slip 43 x 31 x 7 mm, thread M4 x 5 mm

Art.No.	Designation	Price
54.43.31.07.1	<b>Sticking magnet, rubber-coated, black</b>	<b>22.00</b>

### Rubber magnets

Art.No.	Designation	Price
20.025.1500	<b>One- sided self- adhesive 25 x 1.5 mm</b>	<b>22.60</b>
20.050.1500	<b>One- sided self- adhesive 50 x 1.5 mm</b>	<b>40.00</b>
20.420.1500	<b>One- sided self- adhesive 420 x 1.5 mm</b>	<b>108.00</b>
20.420.1010	<b>Raw 420 x 1 mm</b>	<b>72.00</b>
20.420.2010	<b>Raw 420 x 2 mm</b>	<b>110.00</b>
20.420.1020	<b>Vinyl coated white 420 x 1 mm</b>	<b>74.00</b>

**Bigger quantities: please ask for our quotation!**